

# Specification

## CombiMaster® Plus CMP XS 6 2/3 E (6 x 2/3 GN)

Reference number: **CMP623**



### Description

- Hot-air steamer (combi-steamer mode) conforming to DIN 18866 for most of the cooking methods used in commercial kitchens for the optional use of steam and hot-air, individually, in succession or in combination.

### Working safety

- Cleaning and rinse aid tabs (solids) for maximum operational safety
- HACCP data output and software update via integral USB port
- Safety temperature limiter for steam generator and hot-air heating
- Maximum rack height 5 1/4 ft. / 1.60 m when original stand used
- Integral fan impeller brake
- Door handle with right/left and slam function

### Operation

- Mode selector control for cooking modes, separate controls for temperature, core temperature and time settings
- LED illuminated display, visible from a distance
- Clear control panel

### Cleaning, care and operational safety

- 3 automatic cleaning programs
- Diagnostic system with automatic service notices displayed
- Menu-guided user descaling program

### Features

- Rear-ventilated triple-glazed cooking cabinet door, two hinged inside panes (for easy cleaning) with a special heat-reflecting coating
- Unit base with surrounding seal
- Removable, swivel hinging rack with flexible rack options on 11 levels
- LED cooking cabinet lighting - energy-saving, durable and low-maintenance
- USB port
- Probe for core temperature measurement
- Individual programming of 100 cooking programs each with up to 6 steps
- 5 fan air speeds, programmable
- Integral, maintenance-free grease extraction system with no additional grease filter
- Cool-down function for fast cabinet fan cooling
- High-performance fresh steam generator
- Automatic, active rinsing and drainage of steam generator by pump
- Automatic adaptation to the installation location (height, climate, etc.)
- Seamless hygienic cooking cabinet with rounded corners, cabinet with splash guard - stops water from spilling out
- Material inside and out 304 (DIN 1.4301) stainless steel
- Hand shower with automatic retracting system
- Fixed waste water connection conforming to SVGW requirements where permitted
- Splash and hose-proof to IPX 5
- Temperature unit is selectable in °C or °F
- Dynamic air mixing

### ClimaPlus



Climate management - humidity measurement, 5-stage setting and regulation

### Combi-Steamer mode



Steam between 30 °C and 130 °C



Hot-air from 30 °C-300 °C



Combination of steam and hot-air  
30 °C-300 °C

### Approval/Labels





# Specification/Data sheet

Thu Apr 11 17:16:54 CEST 2019

## CombiMaster® Plus CMP XS 6 2/3 E (6 x 2/3 GN)

### Technical Info

<b>Lengthwise loading for:</b>	2/3, 1/2, 1/3 GN	<b>Weight (net):</b>	62 kg	<b>Water drain:</b>	DN 40 mm	
<b>Capacity (GN-container/ grids):</b>	6 x 2/3 GN	<b>Weight (gross):</b>	82 kg	<b>"Steam" connection:</b>	5.4 kW	
<b>Number of meals per day:</b>	20-80	<b>Water connection (pressure hose):</b>	3/4" / d 1/2"	<b>"Hot-air" connection:</b>	5.4 kW	
<b>Width:</b>	657 mm	<b>Water pressure (flow pressure):</b>	150-600 kPa / 0,15-0,6 Mpa / 1,5 - 6 bar	<b>Mains connection</b>	<b>Breaker Size / (amp draw)</b>	<b>Cable crossection</b>
<b>Depth:</b>	657 mm	<b>Connected load electric :</b>	6.2 kW	3 NAC 415V 50/60Hz	3x10A	5 x 1.5mm <sup>2</sup>
<b>Height:</b>	897 mm					

Other voltage on request!

### Installation

- Attention: Copper wiring only!
- Recommended left hand clearance for service and maintenance 20" / 500 mm. It must be a minimum of 14" / 350 mm if heat sources are affecting the left side of the unit
- Installations must comply with all local electrical, plumbing and ventilation codes

### Options

- Left hinged door
- Interface Ethernet
- Safety door lock
- Connection to energy optimising systems + Potential free contact for operation indication included
- Special voltages
- external signal unit connection

### Accessories

- UltraVent XS condensation hood
- Integration kit incl. UltraVent condensation hood
- GN Containers, Trays, Grids
- Wall mounting to mount the appliance
- CombiGrill®/Griddle grid
- Stand

RATIONAL AUSTRALIA PTY LTD

156 Swann Drive

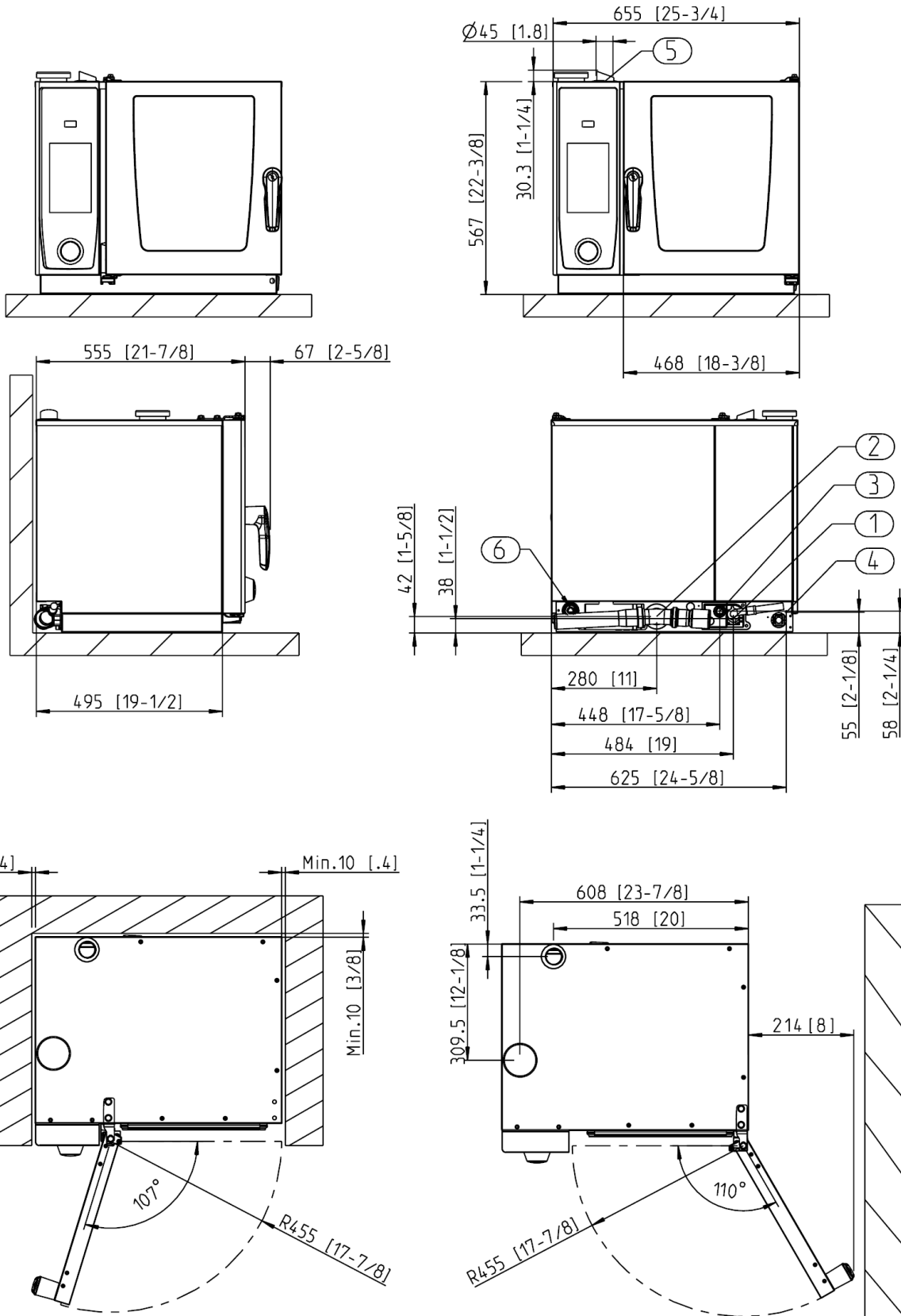
Derrimut, VIC, 3026

Phone: +61 3 8369 4600, Fax: +61 3 8369 4699

Visit us on the internet: [www.rationalaustralia.com.au](http://www.rationalaustralia.com.au)

We reserve the right to make technical improvements

## CombiMaster® Plus CMP XS 6 2/3 E (6 x 2/3 GN)



1. Common water supply (cold water) "Single" water connection as shipped 2. Drain 3. Electrical connection wire entrance 4. Chassis Ground connection 5. Steam Vent pipe 2 3/8" / 60mm Minimum Clearance 2" / 50 mm Left side clearance 20" recommended for servicing of unit without the ability to move unit while connected. Measurements in mm (inch)

**RATIONAL AUSTRALIA PTY LTD**

156 Swann Drive  
Derrimut, VIC, 3026  
Phone: +61 3 8369 4600, Fax: +61 3 8369 4699

Visit us on the internet: [www.rationalaustralia.com.au](http://www.rationalaustralia.com.au)

We reserve the right to make technical improvements